



German quality you can trust



Cargo Series–Kitchen Solutions Italian Design. German Technology.

CargoTech
Master Catalogue



FREE
Design Services
incl. bill of qty.



Technik für Möbel


Hettich



Index

Cargo Duo 02-03

Cargo Larder 04-05

Cargo Magic 06

CargoMan Regular & CargoMan Soft Close 07

CargoMan M 08

Cargo Carousel 09

Cargo Carousel M 10

Cargo Duo



- ▶ Soft closing and soft opening system with nice & gentle move
- ▶ Swivelling Pull out equipped column mechanism (reversible) with 8 or 12 wire bottom baskets
- ▶ Pull out shelf is pulled outward when door is opened
- ▶ As weight of the frame is all down to the bottom cabinet, no sagging or influence of weight on hinges
- ▶ Door & pull out shelf ensure full use of enormous space available
- ▶ Can be used as left hand & right hand unit
- ▶ Can also be used for 2 door units (900 or 1200mm) without central panel
- ▶ Cabinet width 450 & 600mm
- ▶ Use 110° to 165° hinges, for easy access
- ▶ Load capacity 50 Kg
- ▶ Minimum internal carcass depth 500mm
- ▶ Powder coated frame grey

Set Comprises:

- ▶ Mechanism (which contains back frame, front frame & mechanism)
- ▶ Cargo Duo Basket Set (Door & Cabinet basket) as per no. of layers

(Each item as above to be ordered separately)

For outer cabinet width (mm)	For inside carcass width (mm)	Min. inside carcass height (mm)		Article no. for Mechanism	PU	MRP
450	410	1215	4-tier	9 236 364 00	1	52,975
450	410	1800	6-tier	9 236 366 00	1	54,684
600	560	1215	4-tier	9 236 365 00	1	52,975
600	560	1800	6-tier	9 236 367 00	1	54,684

Stainless steel Pull out baskets & Door shelf baskets



Stainless steel pull out baskets

- ▶ For hook assembly in the pull-out frame
- ▶ Chrome-plated Stainless steel basket
- ▶ 10 years free replacement warranty against rusting



Stainless steel door shelf baskets

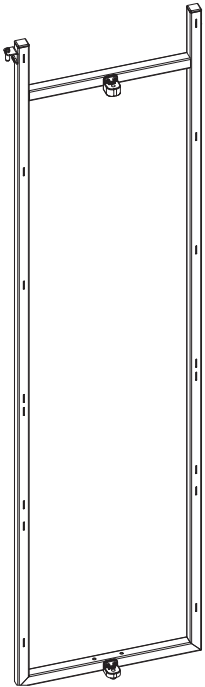
- ▶ For hook assembly in the door frame
- ▶ Chrome-plated Stainless steel basket
- ▶ 10 years free replacement warranty against rusting

For width (mm)	Stainless steel pull out basket (W x D x H) mm	Stainless steel door shelf basket (W x D x H) mm	Article no.	PU	MRP
450	360 x 220 x 90	335 x 110 x 90	9 235 979 00	1set	1,710
600	510 x 220 x 90	485 x 110 x 90	9 235 980 00	1set	2,137

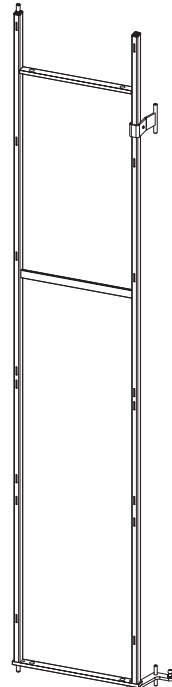
Note:

Ordering Example: For 450 mm Carcase width & 1800 mm height (6 layers),
Order Mechanism Article no. 9 236 366 (1 set) & Basket / Shelf Article no. 9 235 979 (6 sets).

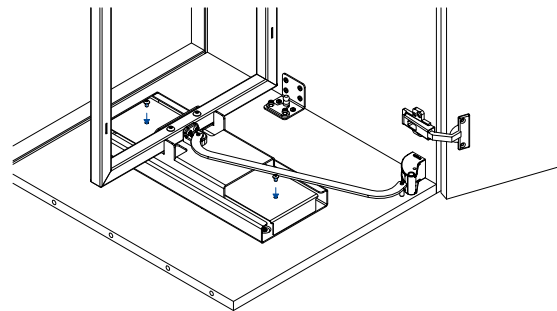
Product details



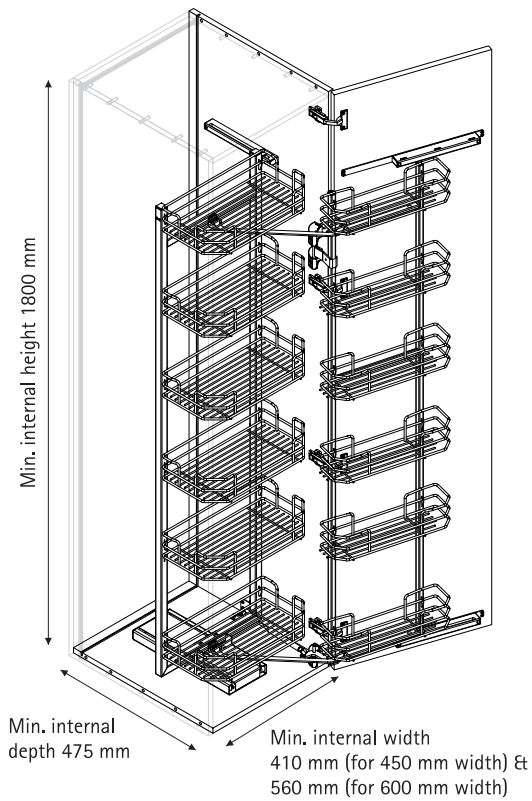
Back frame



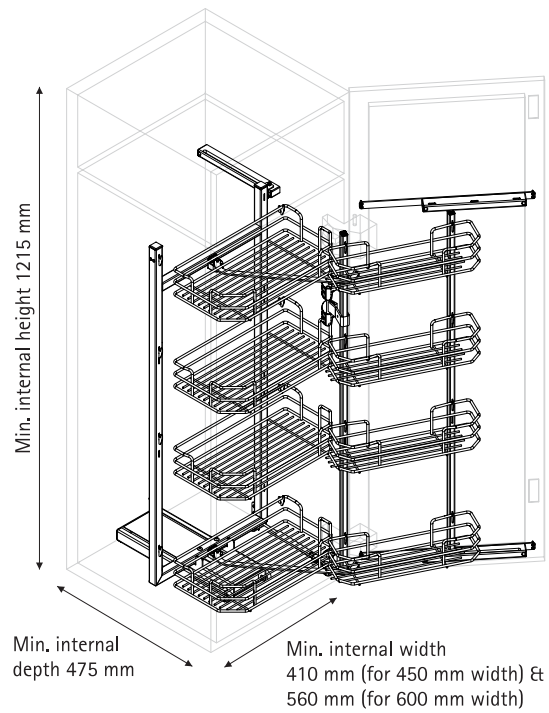
Front frame



Mechanism



Type- 6 tier



Type- 4 tier

Cargo Larder



- ▶ Larder with integrated silent system
- ▶ Top runner is on ball bearing, thus very stable
- ▶ 100,000 cycles tested
- ▶ 3D adjustable for fascia with the screws
- ▶ Eccentric screw to adjust the door height
- ▶ Baskets secured to the door with double clips
- ▶ Telescopic adjustable frame
- ▶ Powder coated frame grey

Center upright

- ▶ Complete with Silent System
- ▶ 300 mm height adjustable
- ▶ Suitable for cabinet widths 300, 400 & 450mm
- ▶ Minimum inside carcass depth 505 mm
- ▶ Pull out system with baskets / shelves must be ordered separately
- ▶ Powder-coated steel, silver

Set Comprises:

- ▶ Cargo Larder Mechanism (1 kit)
- ▶ Cargo Larder Frame (1 pc)
- ▶ Cargo Larder Basket Holders (1 set per layer)
- ▶ Cargo Larder Baskets (qty as per no. of layers)

(Each item as above to be ordered separately)

Full extension runner mechanism & basket



Full extension runner

- ▶ Full extension slides kit for Cargo Larder with soft closing and door brackets - 120 kg (6 layers) & 80 kg (5 layers) load capacity

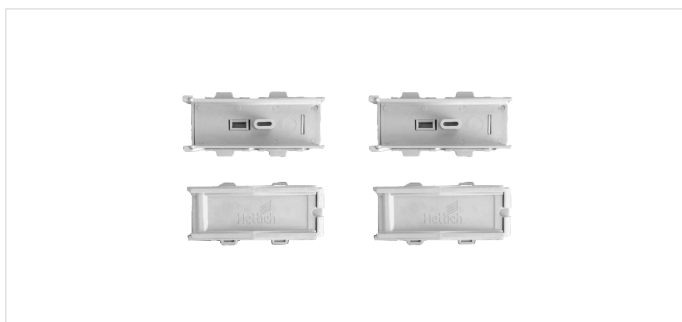
Carcass outer width (mm)	PU	Article no. 80kg / 5 layers	MRP	Article no. 120kg / 6 layers	MRP
300	1Kit	9 236 381 00	24,428	9 236 860 00	26,992
400	1Kit	9 236 382 00	24,428	9 236 870 00	26,992
450	1Kit	9 236 383 00	24,428	9 236 880 00	26,992



Stainless steel baskets

- ▶ For hook in assembly in the center upright
- ▶ With double railing
- ▶ Chrome-plated Stainless steel basket
- ▶ 10 years free replacement warranty against rusting

For width (mm)	W x D x H (mm)	Article no.	PU	MRP
300	230 x 435 x 115	9 235 981 00	1	2,565
400	330 x 435 x 115	9 235 982 00	1	2,736
450	380 x 435 x 115	9 235 983 00	1	2,906



Basket Holders

- ▶ For connecting baskets to the frame, one set required for each layer of basket

Basket Holders	Article no.	PU	MRP
Cargo Larder Basket Holders	9 236 391 00	1set	342

Cargo Larder

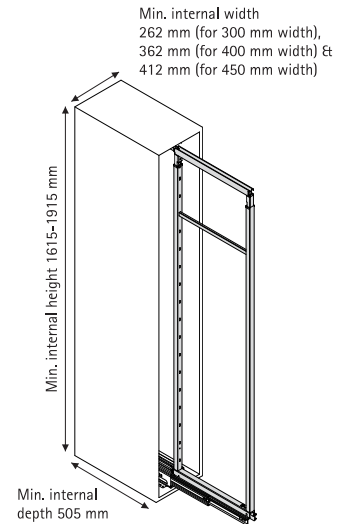
► Frame



For Inside carcass height 1615 -1915 mm (for 5 layers)



- Minimum inside carcass depth 505 mm
- No. of baskets - 5
- Powder-coated steel, silver

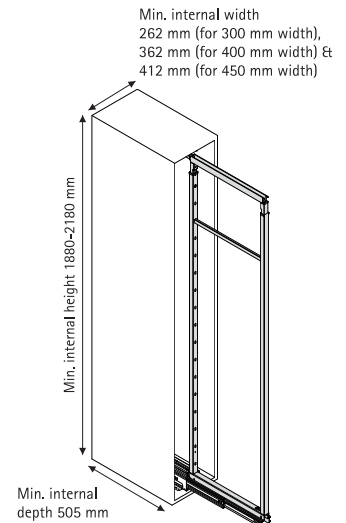


Min. inside carcass width (mm)	Carcass outer width (mm)	Article no.	PU	MRP
262	300	9 236 379 00	1	12,308
362	400	9 236 379 00	1	12,308
412	450	9 236 379 00	1	12,308

For Inside carcass height 1880 -2180 mm (for 6 layers)



- Minimum inside carcass depth 505 mm
- No. of baskets - 6
- Powder-coated steel, silver



Min. inside carcass width (mm)	Carcass outer width (mm)	Article no.	PU	MRP
262	300	9 236 380 00	1	12,308
362	400	9 236 380 00	1	12,308
412	450	9 236 380 00	1	12,308

Note:

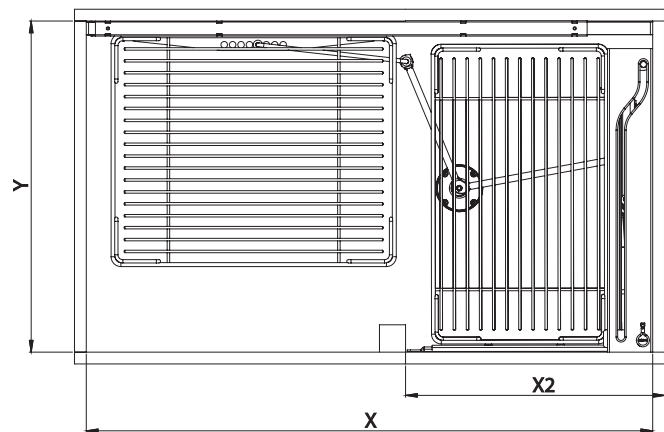
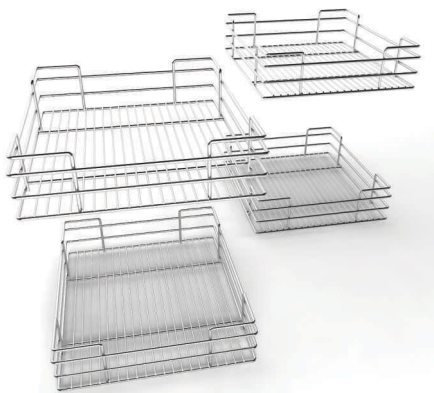
Ordering Example: For 450 mm Carcass width & 1615-1915 mm height / 80 kg (5 layers), Order Full extension runner Article no. 9 236 383 (1 kit), Frame Article no. 9 236 379 (1 pc), Basket Article no. 9 235 983 (5 nos.), Basket Holders Article no. 9 236 391 (5 set).

Features



- ▶ Optimum use of space for corner cabinets 900 and 1000 mm wide
- ▶ Integrated silent system soft closure
- ▶ Total load capacity of 4 Stainless steel basket 35kg
- ▶ 10 years free replacement warranty against rusting
- ▶ Finish : Chrome Plated

Product details



> <	X	X2	Y
900	810-1100	450-500	470
For inside carcass width (mm)			505

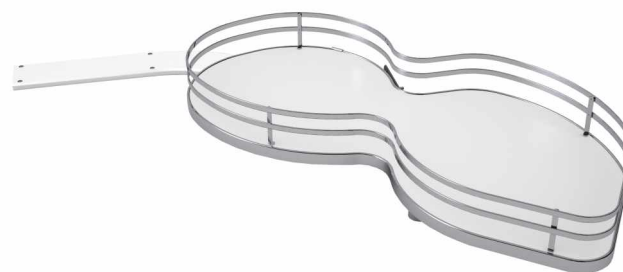
S.no.	Description	Unit	Article no.	PU	MRP
1.	Cargo Magic left	Set	9 221 244 00	1	27,349
2.	Cargo Magic right	Set	9 221 243 00	1	27,349
3.	Stainless steel baskets (set of 4 pcs)	Set	9 221 242 00	1	6,838

CargoMan Regular & CargoMan Soft Close

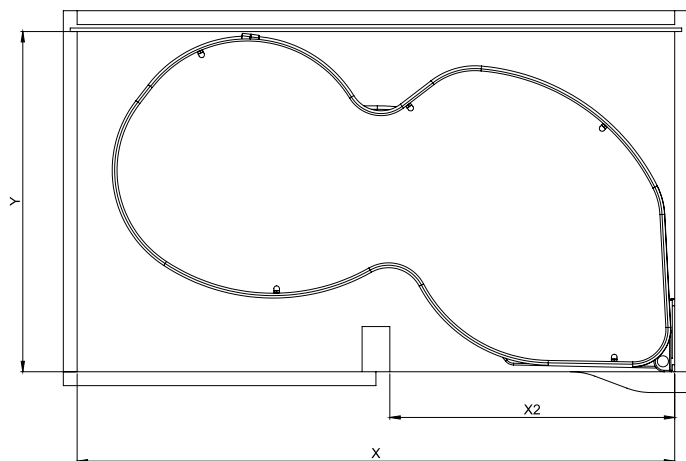
Features



- ▶ 2 variant CargoMan Regular & CargoMan Soft close mechanism
- ▶ Pull-out shelves for corner cabinet
- ▶ The shelves can be swivelled out individually and completely
- ▶ Load capacity 20 kg / shelf
- ▶ Minimum inside carcase depth 490 mm
- ▶ With fast assembly system
- ▶ Two melaminated bottom shelves with anti-slip surface and chrome-plated rail
- ▶ Can be used in odd or even numbers, as flexibility to use single units
- ▶ No extra attachment required to install
- ▶ Installation very simple on the bottom of the cabinet
- ▶ Right and left version



Product details



>  <	X	X2	Y	Z
900	860	450	490	150
1000	1000	500	490	150
1000	1000	600	490	150

Z = Minimum internal cabinet height for one layer

S.no.	Description	Unit	PU	Article no. (Regular)	MRP	Article no. (Soft Close)	MRP
1.	450 LH (Single layer)	Pc	1	9 161 975 00	14,495	9 218 017 00	15,350
2.	450 RH (Single layer)	Pc	1	9 161 976 00	14,495	9 218 018 00	15,350
3.	500 LH (Single layer)	Pc	1	9 161 977 00	17,945	9 218 019 00	18,800
4.	500 RH (Single layer)	Pc	1	9 161 978 00	17,945	9 218 020 00	18,800
5.	450 LH (Double layer)	Pair	1	9 161 971 00	28,990	9 218 025 00	30,699
6.	450 RH (Double layer)	Pair	1	9 161 972 00	28,990	9 218 026 00	30,699
7.	500 LH (Double layer)	Pair	1	9 161 973 00	35,890	9 218 027 00	37,599
8.	500 RH (Double layer)	Pair	1	9 161 974 00	35,890	9 218 028 00	37,599

CargoMan M

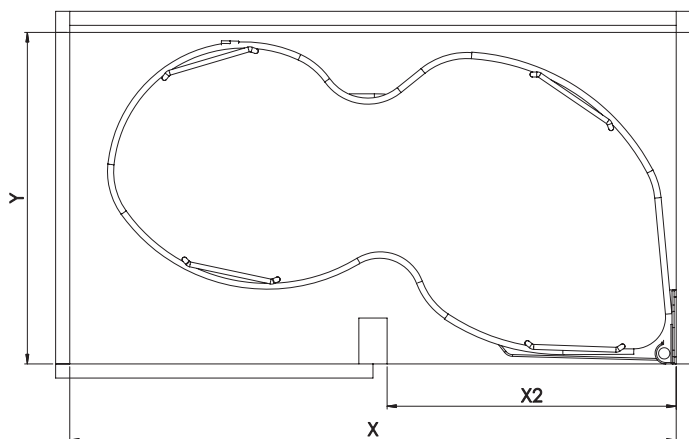
Features



- ▶ Extremely easy to fit
- ▶ Very stable
- ▶ 20 Kg load capacity
- ▶ 100,000 cycles pull out certified
- ▶ Each shelf independent , with option to have odd or even numbers of layers
- ▶ No need for precise measurements, as drilling template & Jigs are included



Product details



> <	X	X2	Y	Z
900	830	450	490	150
900	860	500	490	150

Z = Minimum internal cabinet height for one layer

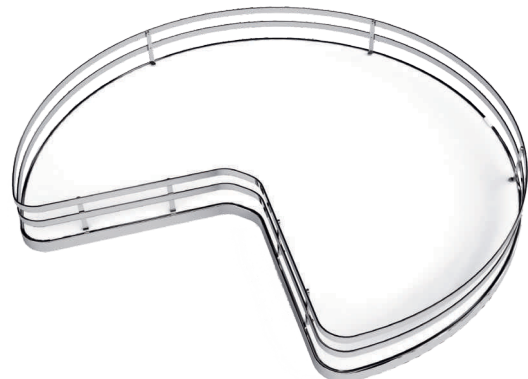
S.no.	Description	Unit	Article no.	PU	MRP
1.	CargoMan M corner pull out 450 LH (Single layer)	Pc	9 218 013 00	1	12,360
2.	CargoMan M corner pull out 450 RH (Single layer)	Pc	9 218 014 00	1	12,360
3.	CargoMan M corner pull out 500 LH (Single layer)	Pc	9 218 015 00	1	15,810
4.	CargoMan M corner pull out 500 RH (Single layer)	Pc	9 218 016 00	1	15,810
5.	CargoMan M corner pull out 450 LH (Double layer)	Pair	9 218 021 00	1	24,720
6.	CargoMan M corner pull out 450 RH (Double layer)	Pair	9 218 022 00	1	24,720
7.	CargoMan M corner pull out 500 LH (Double layer)	Pair	9 218 023 00	1	31,620
8.	CargoMan M corner pull out 500 RH (Double layer)	Pair	9 218 024 00	1	31,620

Cargo Carousel

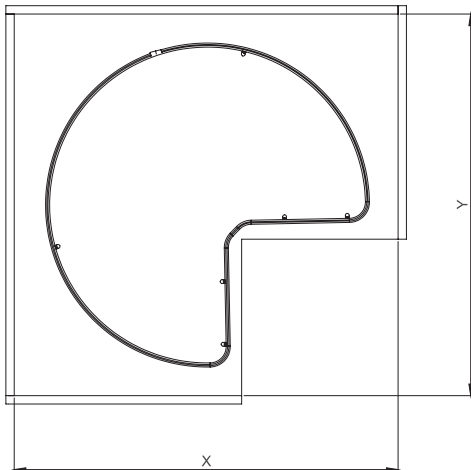
Features



- ▶ Perfect corner solution, for carcass dimension 900 X 900mm
- ▶ Very stable as installed on a wooden self and easy to fit
- ▶ Three-quarter circle revolving shelves: melamine coated white wooden shelves with anti-slip
- ▶ Each shelf independent, with options to have odd or even numbers of layers
- ▶ 200kg load capacity rotating plate
- ▶ No bars that interfere so end user can store more and reach better
- ▶ 2 Flat bars for more stability and no possibility that goods fall out
- ▶ Railing: Chrome Finish



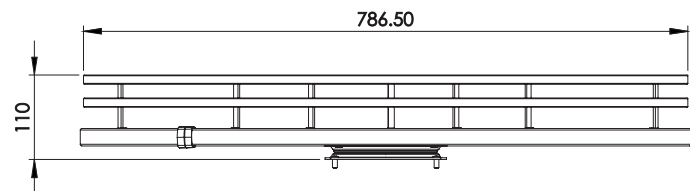
Product details



> <	X	Y	Z
900 x 900	860	860	110

Set Comprises:

- ▶ 2 three- quarter circle revolving shelves
- ▶ 1 set of fittings



S.no.	Description	Unit	Article no.	PU	MRP
1.	Cargo Carousel 3/4- 900 mm	Set	9 219 462 00	1	25,624

Cargo Carousel M

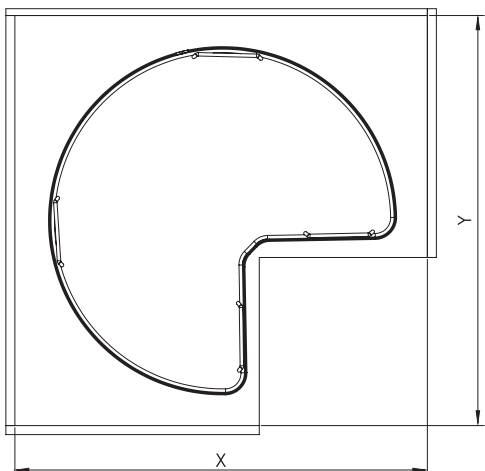
Features



- ▶ Perfect corner solution, for carcass dimension 900 X 900mm
- ▶ Very stable as installed on a wooden self and easy to fit
- ▶ Three-quarter circle revolving shelves: melamine coated white wooden shelves with anti-slip
- ▶ Each shelf independent, with options to have odd or even numbers of layers
- ▶ 200kg load capacity rotating plate
- ▶ No bars that interfere so end user can store more and reach better
- ▶ Railing: Chrome Finish



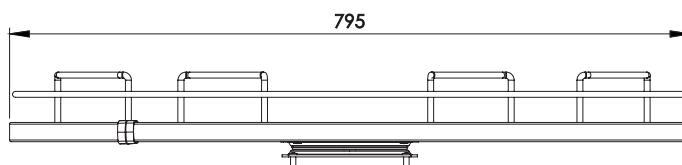
Product details



> <	X	Y	Z
900 x 900	860	860	110

Set Comprises:

- ▶ 2 three- quarter circle revolving shelves
- ▶ 1 set of fittings



S.no.	Description	Unit	Article no.	PU	MRP
1.	Cargo Carousel M 3/4- 900 mm	Set	9 219 465 00	1	22,206



Registered & Head Office:
Hettich India Private Limited
302, Duro-lite House,
Opp. SAB TV, New Link Road,
Andheri (West), Mumbai - 400 053
Phone: +91 22 2674 3289/3356/4089
Fax: +91 22 2674 3267

Delhi Office:
Hettich India Private Limited
A-26/4, 1st floor,
Mohan Co-operative Industrial Estate,
New Delhi - 110 044
Phone: +91 11 4889 4000, 4889 4005
Fax: +91 11 4889 4044

Vadodara Factory:
Plot No. 304, Dhanora,
Nandesari Road,
Near ECPL,
Village - Dhanora - 391 346
Dist. - Vadodara
Tel: + 91 26 5656 9003

07_2017

Application Centres:

New Delhi:
61, Panchkuian Road,
New Delhi - 110 001
Ph. No. : +91 11 2358 0713,
2358 4603

Kolkata:
2nd Floor, Unit Number 2A,
Tirumala 22,
East Topsia Road,
Kolkata - 700 046
Ph. No. : +91 85850 44725

Bangalore:
Adventz Center, Ground Floor 28,
Cubbon Road, Shivaji Nagar,
Bangalore - 560 001
Ph. No. : +91 80 4530 0400,
4530 0401

Chandigarh:
2nd Floor, Aspire Tower,
Plot no. 55, Industrial
& Business park, Phase 1,
Chandigarh - 160 002
Ph. No. : +91 93 1755 7195

Enquiry & Customer Services

Toll Free : 1800 209 2096 (office hours)

Email: sales_enquiry@in.hettich.com
customer_services@in.hettich.com
www.hettich.com

Mumbai:
202, Duro-lite House, Opp. SAB TV,
New Link Road, Andheri (West),
Mumbai - 400 053
Ph.No. : +91 22 2639 9707

Hyderabad:
" Sai Krishna "
797 - A, Road No. 36,
Jubilee Hills,
Hyderabad - 500 034
Ph. No. : +91 40 2355 8994

Lucknow:
Umrao Plaza, 2nd Floor
B - 3, Indira Nagar,
Faizabad Road
Lucknow - 226 016
Ph No. : +91 52 2407 8889

Indore:
Office No.106 and 107-A,
"Brilliant Titanium",
Plot No.9, Scheme No.78, Part-II,
Indore - 452 010, Madhya Pradesh,
Ph. No. : +91 93 0171 7343

Chennai:
"Heavtree", Ground Floor,
47, Spur Tank Road,
Chetpet, Chennai - 600 031
Ph. No. : +91 44 4263 7227

Pune:
Ishanya Speciality Mall,
C G 00-01, 2nd floor,
Arcade-2, Opp.Golf Course,
Yerwada, Pune - 411 006,
Ph. No. : +91 20 4132 2638

Ahmedabad:
1st Floor, Unit No. 102,
Safal Pegasus,
Anand Nagar,
Ahmedabad - 380 015,
Ph. No. : +91 79 4032 2824

Kochi:
41/2062D, 2nd Floor
Palarivattom signal
junction, NH 47 By-pass,
Kochi - 682 028
Ph. No. : +91 93 4900 3909

Technik für Möbel

